

GALFRE

COSTRUZIONI MACCHINE AGRICOLE

di **GALFRE' DOMENICO & C. s.n.c.**
Via Centallo, 136 - ROATA CHIUSANI
12044 CENTALLO (CN) - ITALY
Tel. 0171.718005 - Fax 0171.718004
Sito internet: www.galfre.net
E-mail: info@galfre.net

SPARE PARTS LIST

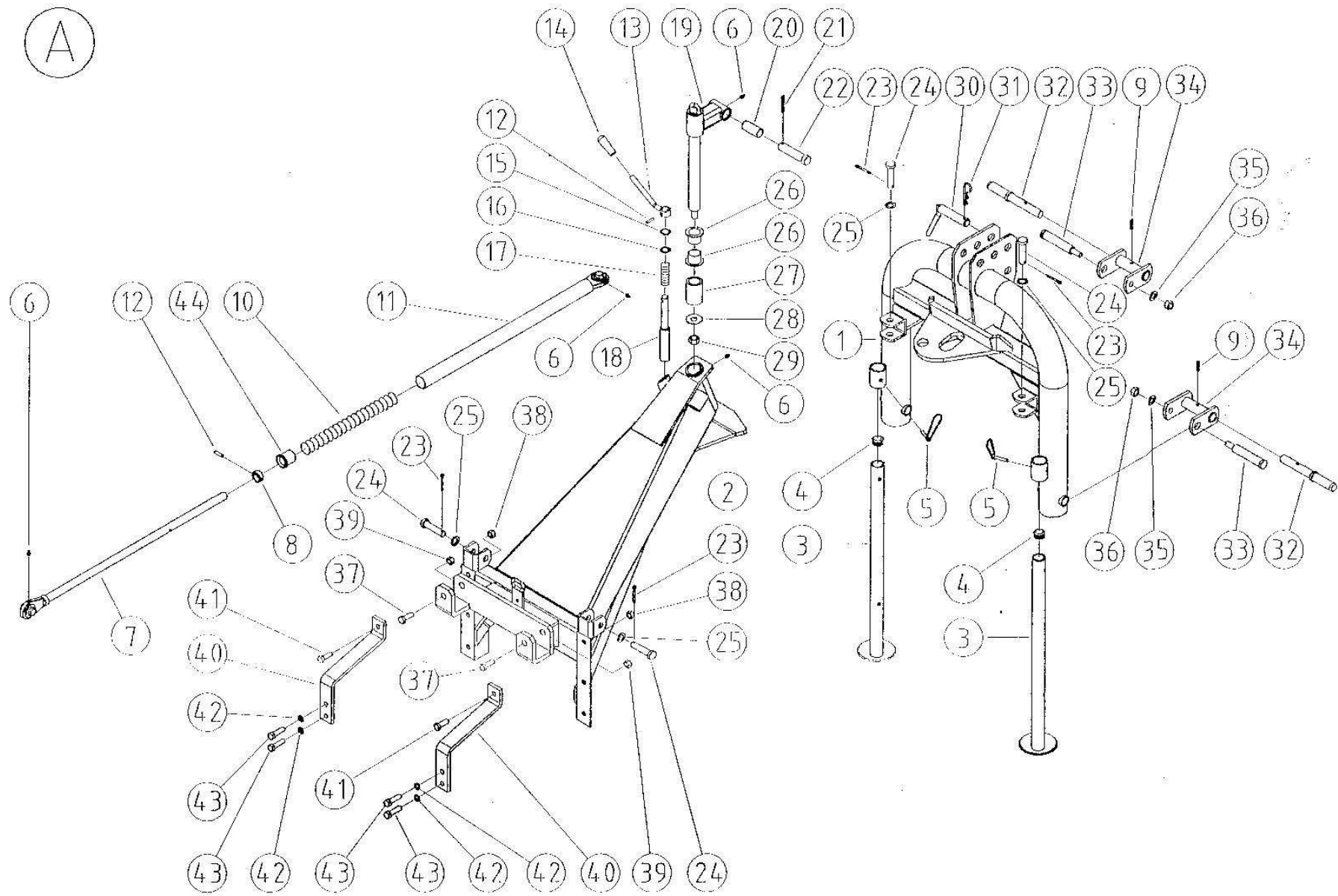


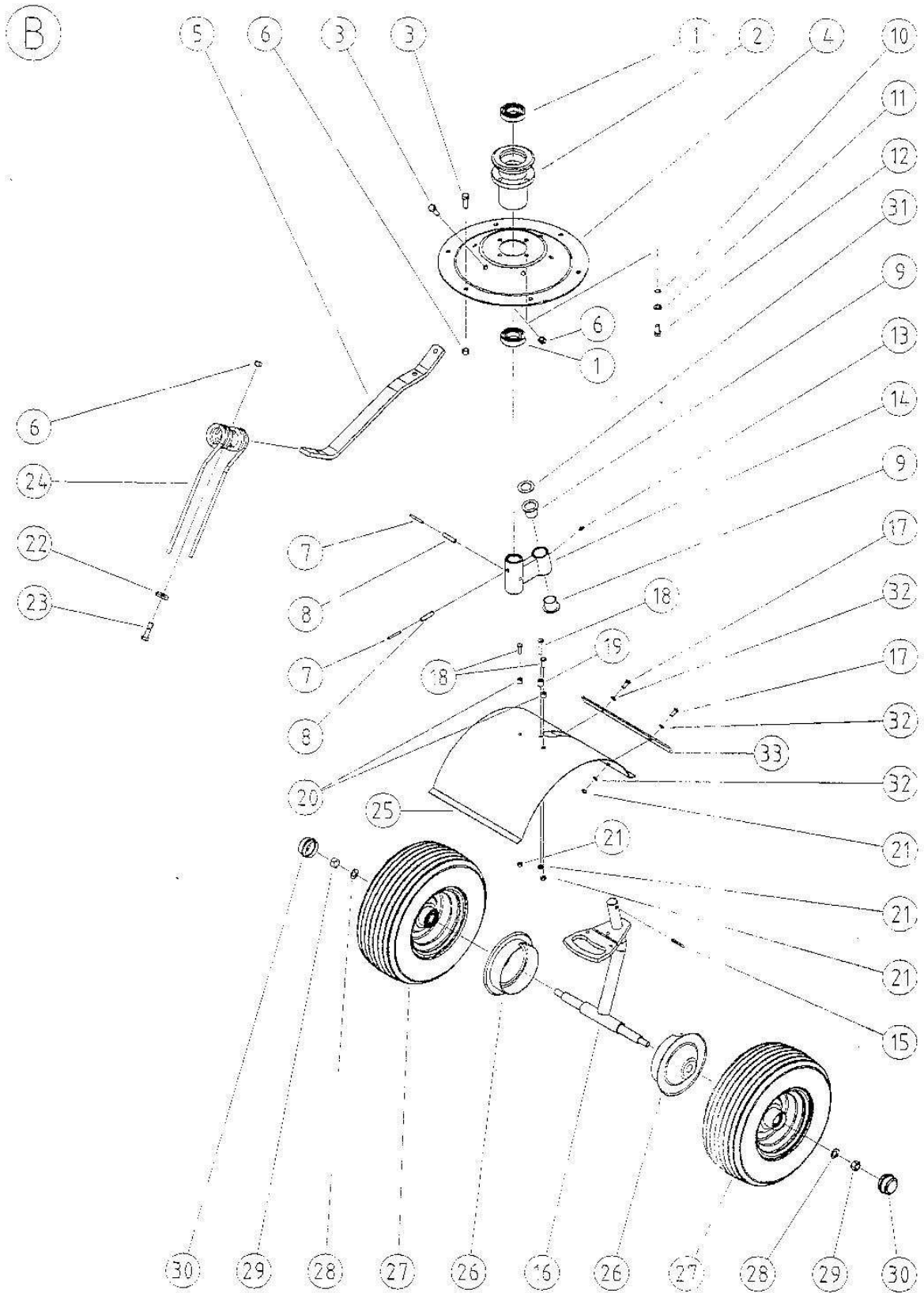
ROTARY TEDDERS

GS

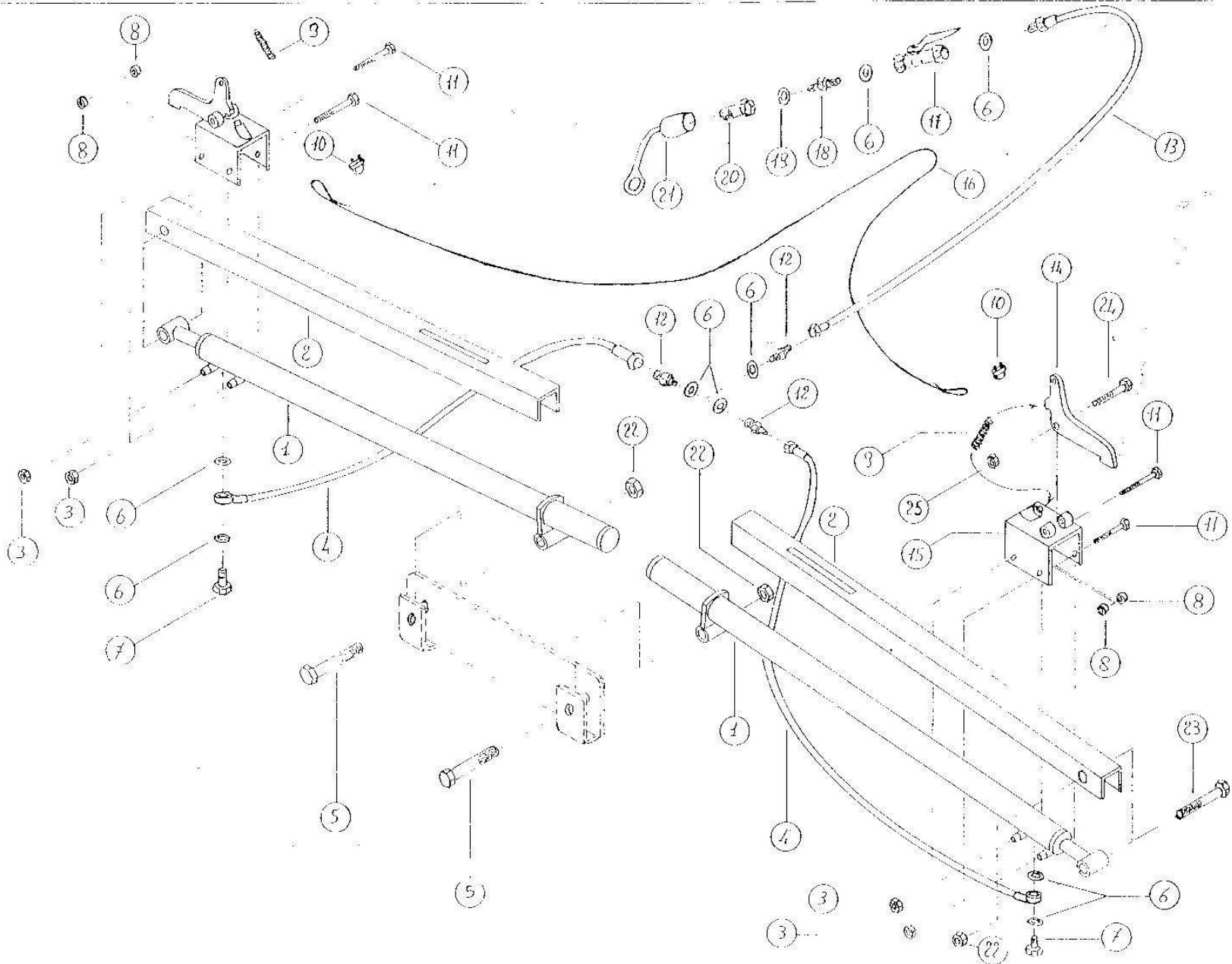
GS 650 - GS 730

A

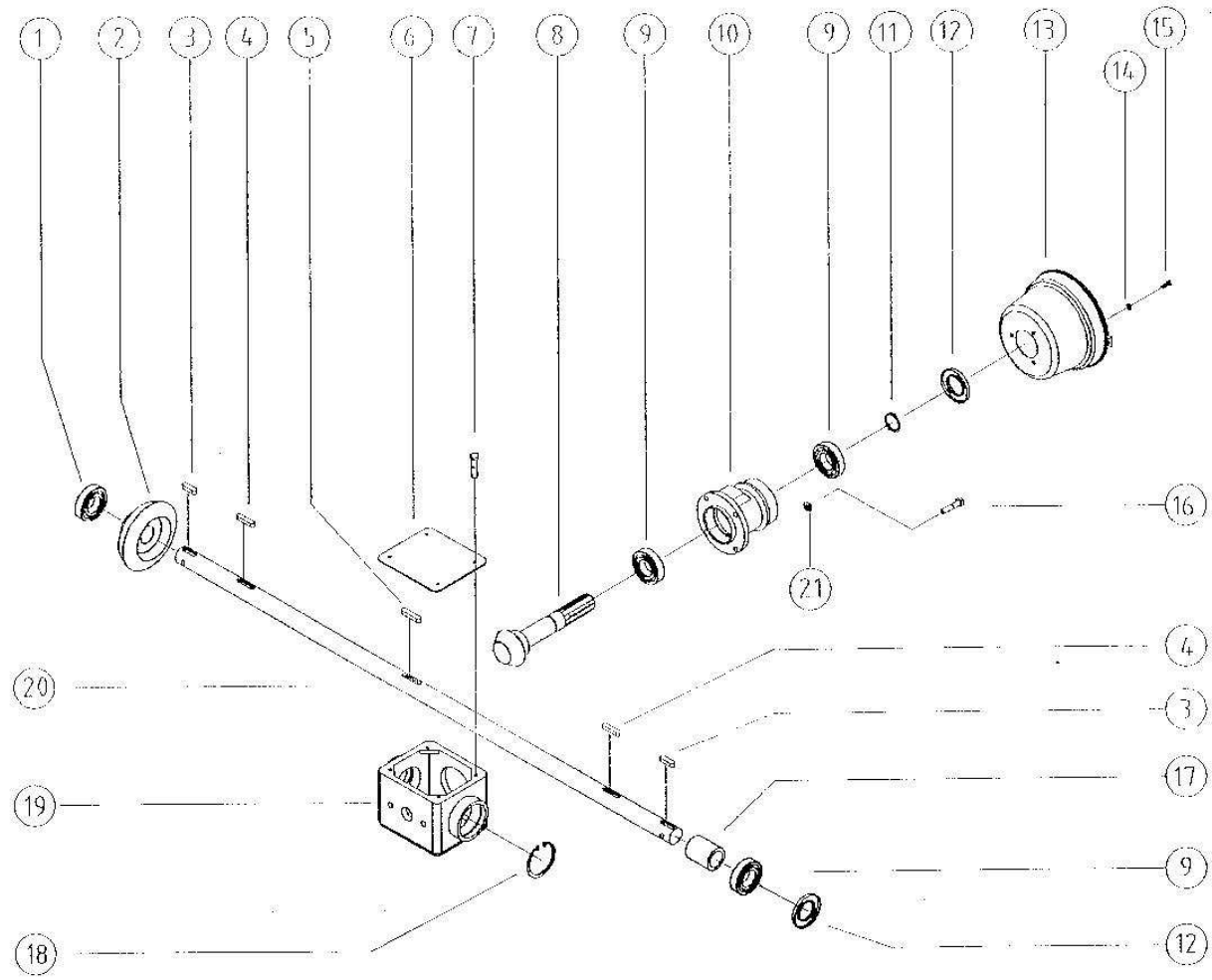




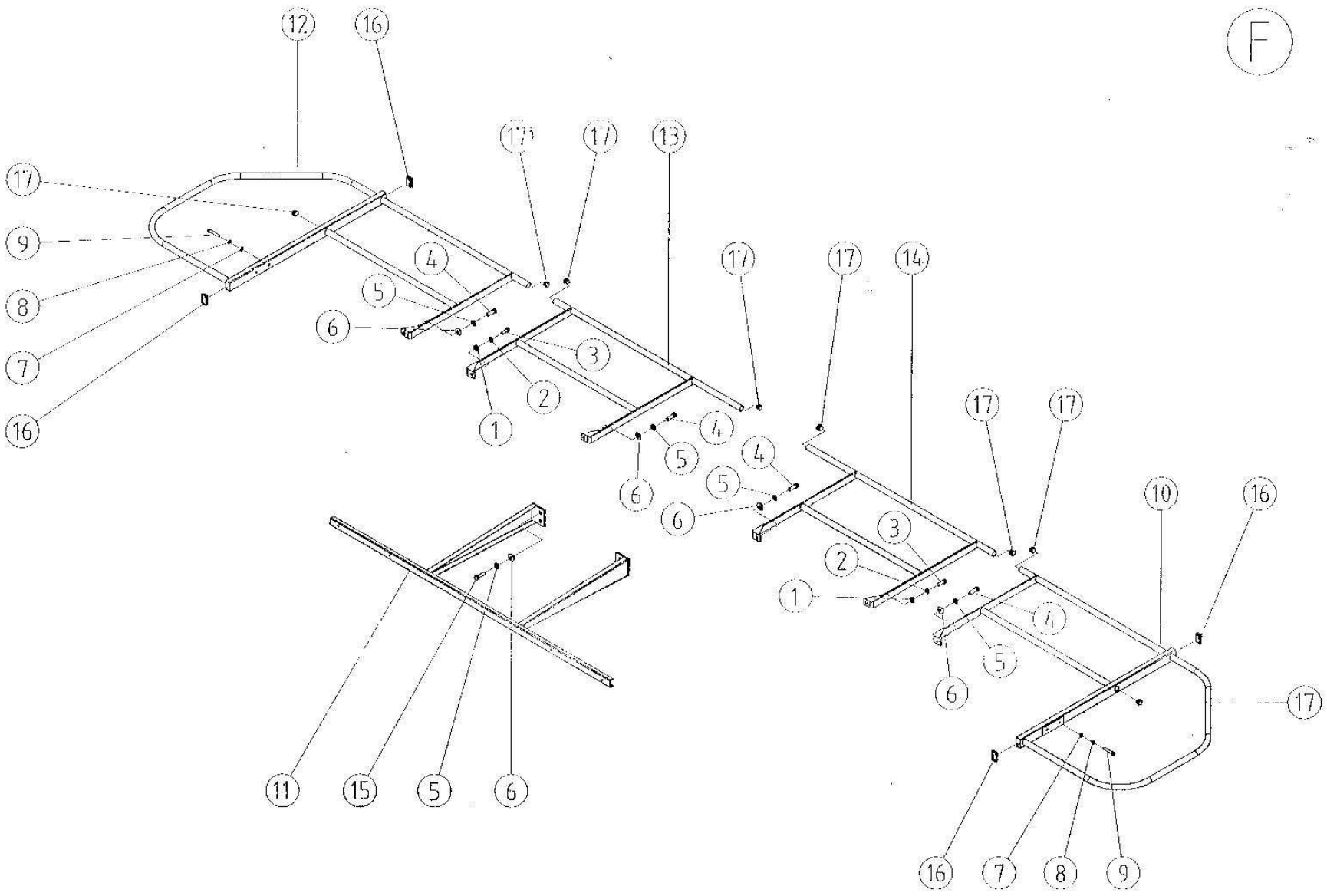
C

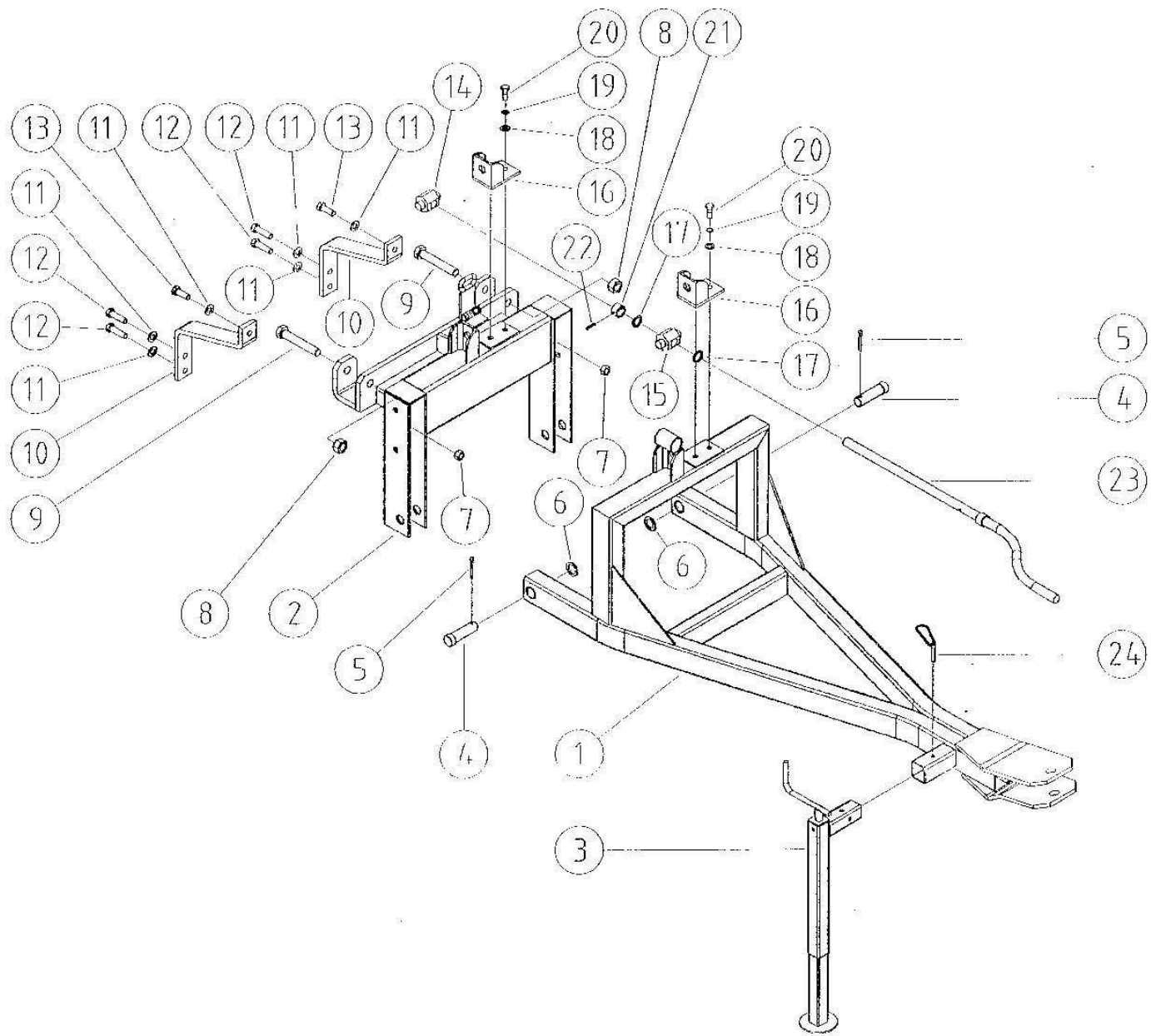


D



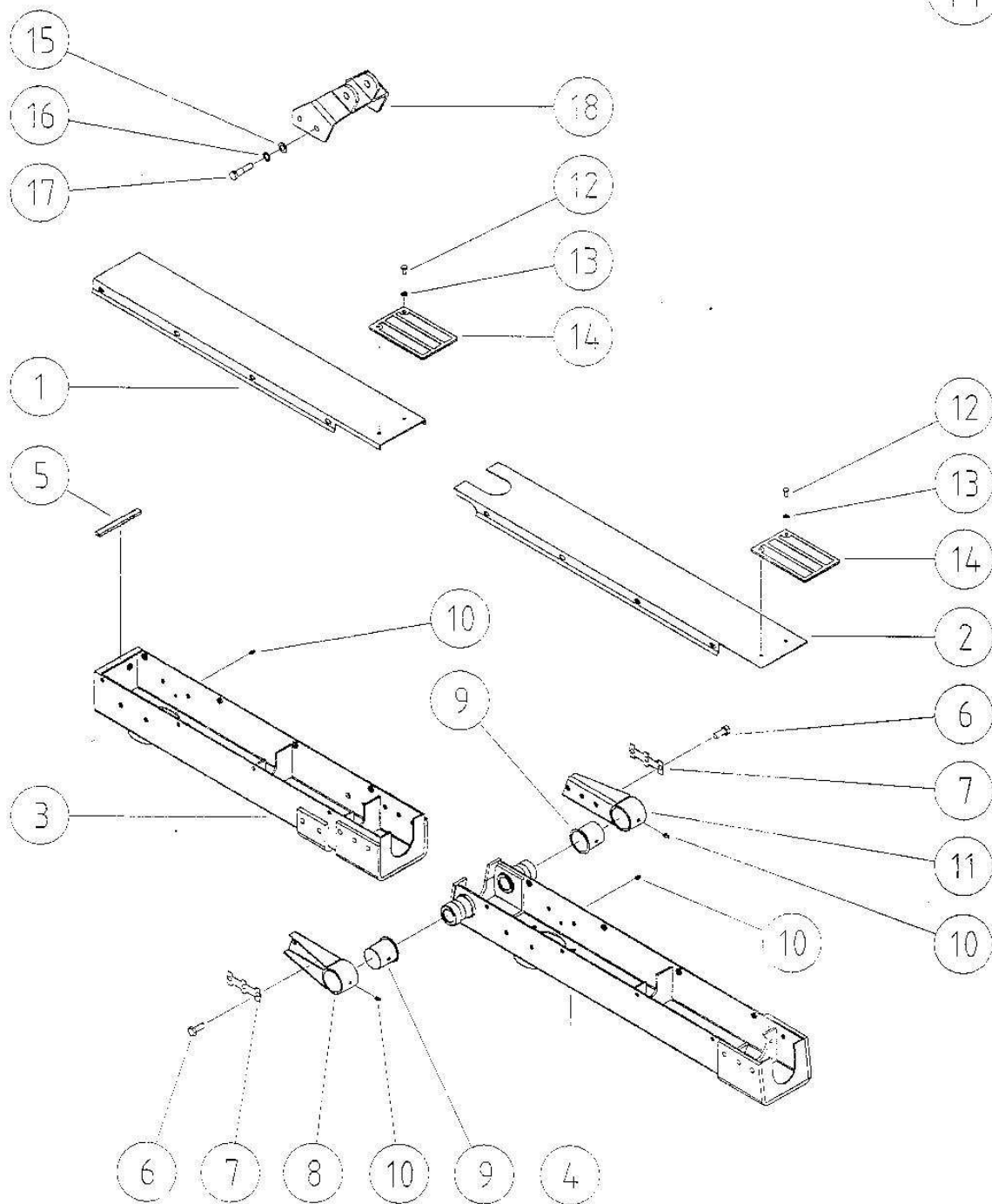
F

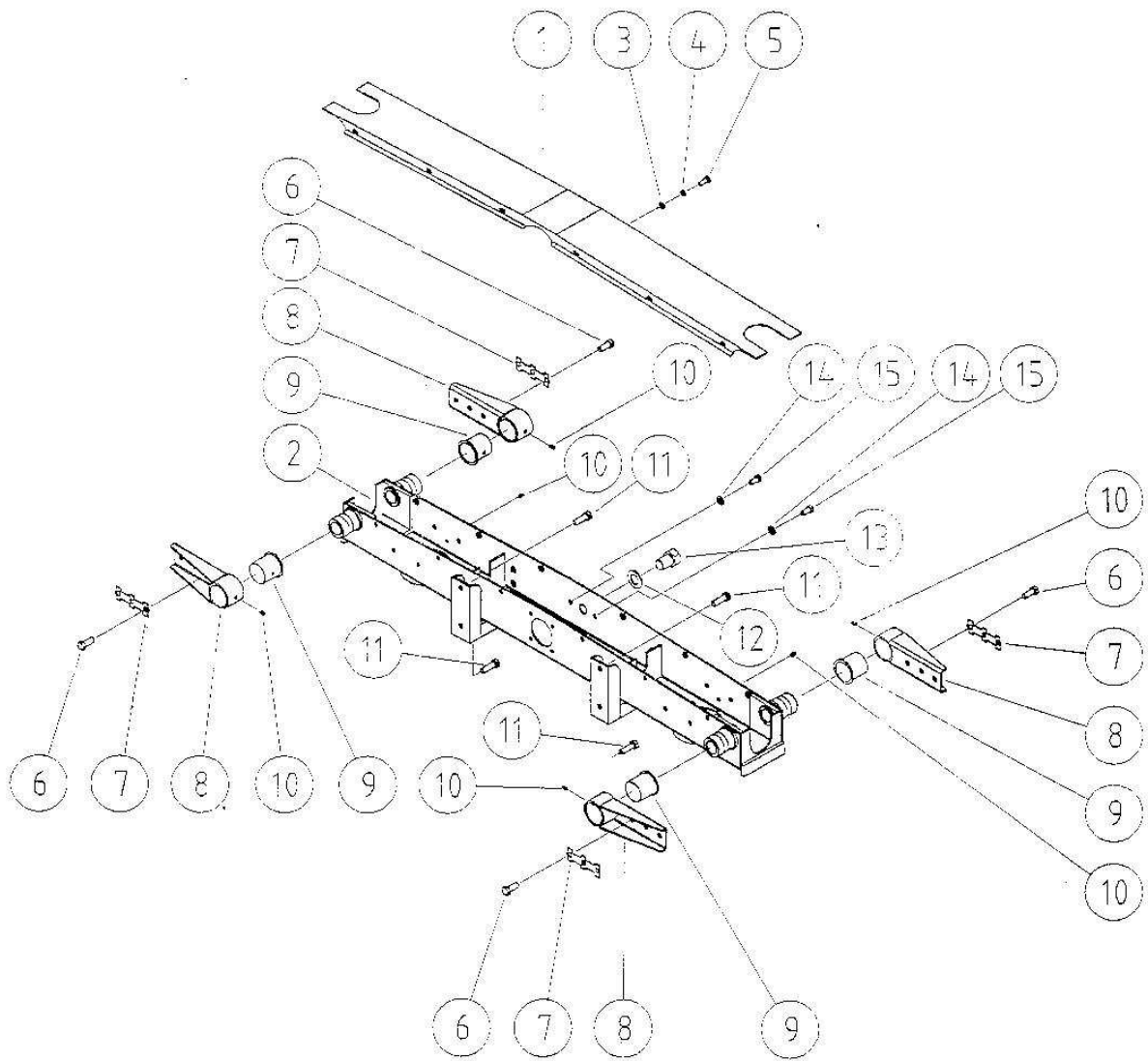




G

H





L

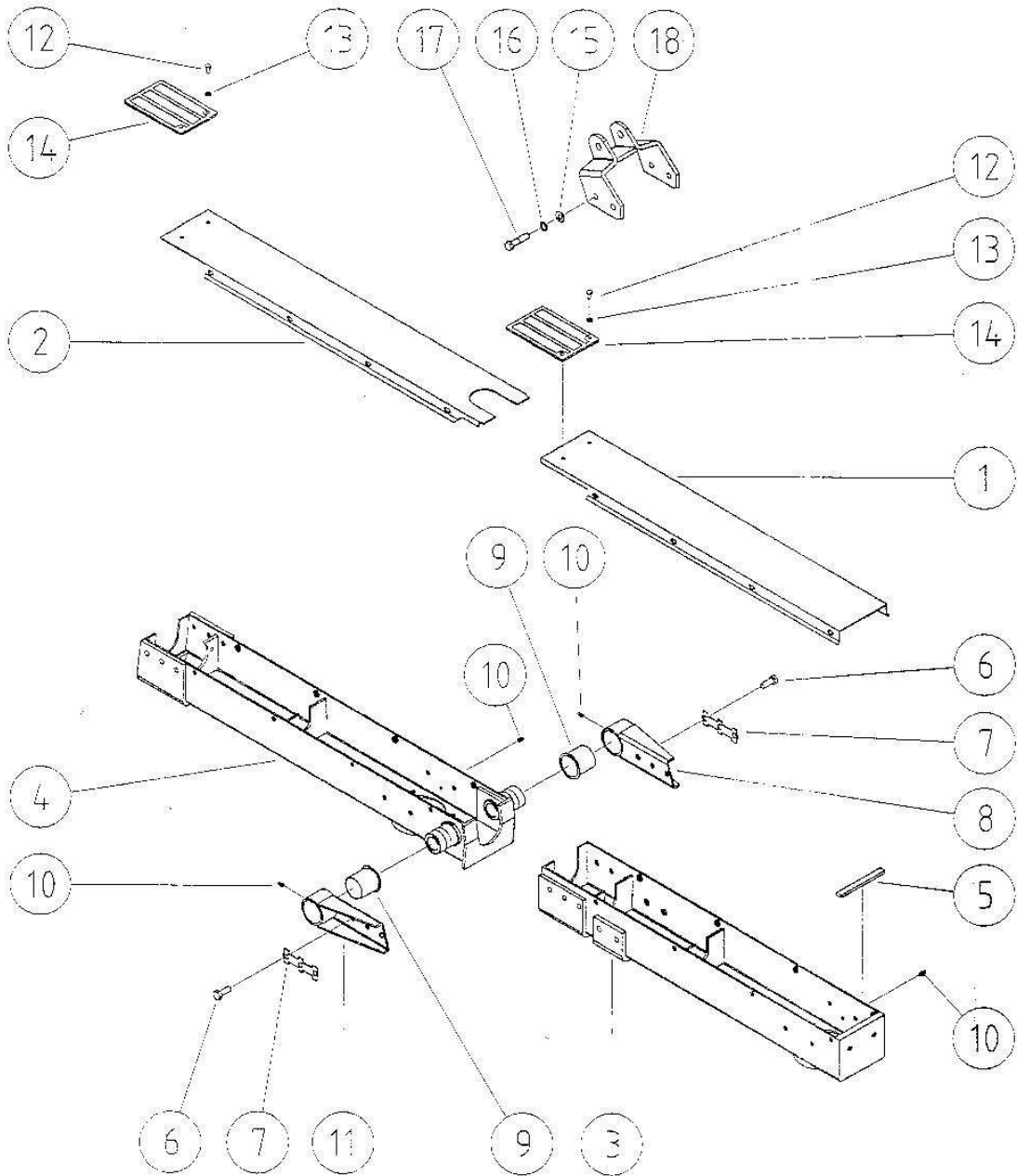


TAVOLA - POSIZIONE	CODICE	DESCRIZIONE
D12-E6	02.0003.0002.00	SEAL RING 35X72X10/8
D11	02.0004.0012.00	AN SEEGER EST D 35/1,5
A15	02.0004.0013.00	AN SEEGER INT D30X1,2
D18	02.0004.0024.00	AN SEEGER INT D72X2,5
B9	02.0006.0002.00	BUSH
A26	02.0006.0004.00	BUSH 33,7X40,5X35,8
H9-I9-L9	02.0006.0013.00	PLASTIC BUSG
C1	02.0010.0020.00	CYLINDER
C20	02.0013.0021.00	AUTOMATIC ENGAGEMENT.
C18	02.0013.0031.00	NIPPLO 3/8
C12	02.0013.0038.00	NIPPLO 1/4X1/4
C17	02.0013.0071.00	TAP 3/8
C7	02.0013.0078.00	QUARRY SCREW 1/4
A21-G5	02.0014.0004.00	COPIGLIA UNI 1336 6.3X50
A23	02.0014.0009.00	COPIGLIA UNI 1336 5X35
A31	02.0014.0020.00	COP-UNI 8833
A38	02.0017.0004.00	NUT AUTOBL.ZINC.WHITE
A36-B29	02.0017.0005.00	NUT AUTOBL.
A39	02.0017.0006.00	NUT AUTOBL.ZINC.WHITE
A29	02.0017.0009.00	NUT AUTOBL.ZINC.WHITE
B21-C3	02.0017.0074.00	NUT AUTOBL. M8
B6-C25	02.0017.0076.00	NUT AUTOBL.M12
G7	02.0017.0077.00	NUT AUTOBLOC. M14X2X16.6
C22-G8	02.0017.0080.00	NUT AUTOBLOC.M20X2.5X23
E17	02.0022.0002.00	SIMPLE JOINT, ATT.3/8 AT.30
E13	02.0022.0003.00	DOUBLE JOINT
B13	02.0025.0001.00	GRASER UNI 7663
C26	02.0025.0003.00	GRASER UNI7663
H10-I10-L10	02.0025.0011.00	GRASER M8X1
A6	02.0025.0013.00	GRASER UNI7662-B/M8X1
D3-E8	02.0030.0002.00	FLAP 8X7X35
D4-E9	02.0030.0004.00	FLAP 10X8X45
D5	02.0030.0005.00	FLAP 10X8X50
B24	02.0032.0002.00	TINE SPRING
C9	02.0033.0012.00	PRESSURE SPRING
A17	02.0033.0014.00	PRESSURE SPRING
A10	02.0033.0026.00	PRESSURE SPRING
B1-D9-E4	02.0037.0003.00	BEARING 6207-2RS1
D1	02.0037.0005.00	ROLL BEARING 30207
H14-L14	02.0041.0001.00	GUM COVER
H13-L13	02.0045.0001.00	WASHER DIA i8
B10-F1-G18-I14	02.0045.0002.00	FLAT WASHER ZINC.UNI6592
H7	02.0045.0003.00	STOP BOLT
I13	02.0045.0005.00	WASHER Fi 10
H16	02.0045.0007.00	WASHER GLOVER i10
H6-I7-L7	02.0045.0009.00	STOP BOLT
H16-L16	02.0045.0011.00	WASHER GLOVER DIA i14
H15-L15	02.0045.0024.00	WASHER DIA i14
B28	02.0045.0025.00	FLAT WASHER
G6	02.0045.0026.00	FLAT WASHER 25X44X4
A25	02.0045.0032.00	FLAT WASHER
G17	02.0045.0033.00	WASHER NYLON WHITE 22.2X31X3
A35	02.0045.0038.00	FLAT WASHER
C19	02.0045.0049.00	COPPER WASHER 1/2
C6	02.0045.0050.00	COPPER WASHER 1/4
A28	02.0045.0060.00	FLAT WASHER
A42-F6-G11	02.0045.0063.00	WASHER ZINC.WHITE
F7	02.0045.0064.00	WASHER Z.B. 11X22X2,5
D21-F8	02.0045.0065.00	WHITE TOOTHED WASHER
B11-E18-F2	02.0045.0066.00	WHITE TOOTHED WASHER

F5	02.0045.0067.00	WHITE TOOTHED WASHER 15X21X1
D14	02.0045.0068.00	WASHER ZINCATA WHITE
B32	02.0045.0072.00	WASHER Z.B.
B27	02.0047.0002.00	WHEEL 15X6.00-6
B30	02.0047.0011.00	COVER FOR WHEEL
H5-L5	02.0048.0020.00	GASKET
A12-G22	02.0050.0003.00	BLACK ELASTIC PIN 6X30
B7	02.0050.0005.00	ELASTIC PIN 6X50
E1	02.0050.0006.00	BLACK ELASTIC PIN 6X60
B15	02.0050.0010.00	ELASTIC PIN 8X50
B8	02.0050.0011.00	ELASTIC PIN 10X50
E2	02.0050.0012.00	BLACK ELASTIC PIN 10X60
A9	02.0050.0017.00	ELASTIC PIN ZINC.B.8X36
A5-G24	02.0050.0043.00	PIN D10 A HALF MOON
F17-I13	02.0052.0008.00	CAP 3/4
I12	02.0052.0018.00	GASKET FOR CAP 3/4
F16	02.0053.0007.00	RECTANGULAR CAP 30X50
F17	02.0053.0008.00	ROUND CAP D25
A4	02.0053.0010.00	ROUND CAP D35 H21
A14	02.0053.0011.00	KNOB CAP D14
C4	02.0056.0010.00	PIPE R1T1/4X1150
C13	02.0056.0013.00	PIPE R1T1/4X2400
H12-L12	02.0057.0001.00	SCREW T.E M8X16
B17	02.0057.0002.00	SCREW T.E M8X20
I5	02.0057.0006.00	SCREW T.E. M10X25
G20	02.0057.0007.00	SCREW T.E. M10X30
B3-E11-F3	02.0057.0010.00	SCREW T.E M12X35 Z.B
B23	02.0057.0011.00	SCREW T.E M12X45
C24	02.0057.0012.00	SCREW T.E M12X75
H6-I6-L6	02.0057.0014.00	SCREW T.E M14X35
A41-F4-H17-L17	02.0057.0015.00	SCREW T.E. 14XX40 Z.B.
B12-I15	02.0057.0021.00	SCREW T.E M12X25
A43-G12	02.0057.0025.00	SCREW T.E M14X50
E15	02.0057.0034.00	SCREW T.C.E.I. M12X35
D15	02.0057.0124.0	SCREW T.E M6X16
B18	02.0057.0129.00	SCREW T.E M8X45
A37-F15-I11	02.0057.0157.00	SCREW T.E. M14X45
C23	02.0057.0174.00	SCREW T.E M20X110
C5-G9	02.0057.0175.00	SCREW T.E M20X120
G13	02.0057.0225.00	SCREW T.E. M14X40
C11	02.0057.0231.00	SCREW T.E. M8X90
F9	02.0057.0232.00	SCREW T.E. M10X60
D16	02.0057.0233.00	SCREW T.C.E.I. M10X40
D7	02,0057,0234,00	SCREW T,E M6X12
C10	02.0065.0001.00	CLAMP ZINCATO R5
C21	02.0066.0001.00	GUM CAP
A13	03.0001.0008.00	HANDLE PIVOT X ARTIC 3PT
A18	03.0001.0009.00	PIVOT FOR STOP HANDLE
A22	03.0001.0010.00	PIVOT FOR JOINT.
A24	03.0001.0011.00	PIVOT FOR STABILIZER.
A30	03.0001.0012.00	HANDLE PIVOT FOR 3PT
A32	03.0001.0013.00	PIVOT LIFT UP
A33	03.0001.0014.00	PIVOT FOR OSCILLATING
G4	03.0001.0016.00	PIVOT FOR PULL TYPE
B22	03.0002.0008.00	WEDGE FOR TINE
A16	03.0002.0009.00	CUTTED WASHER FOR UNLOCK
G14	03.0002.0011.00	SPIRAL WITH THREADED HOLE .M22
G15	03.0002.0012.00	SPIRAL WITH HOLE D22,5
G23	03.0002.0013.00	THREADED HANDLE FOR PULL TYPE
C2	03.0004.0034.00	LIMITER ZINC
D2	03.0006.0016.00	CROWN Z19 F.35

D19	03.0006.0017.00	CENTRAL BOX
D8	03,0006,0018,00	PINION SHAFT Z9 D35X72XH17
E5	03.0006.0021.00	PINION Z12 D35
C8	03.0007.0039.00	SPACING BUSH
D17	03.0007.0040.00	SPACING PIPE FOR CENTRAL BOX.
A8	03.0007.0041.00	BUSH FOR STEM.
A27	03.0007.0042.00	IRON BUSH X ARTIC
G21	03.0007.0043.00	BUSH FOR HANDLE PULL TYPE
B19	03.0007.0044.00	SPACING BUSH
B20	03.0007.0045.00	SPACING BUSH
E3	03.0016.0008.00	SUPPORTING PLATE FOR BEARING
D20	03.0018.0005.00	CENTRAL SHAFT
E12	03.0018.0006.00	WHEEL SHAFT
E19	03.0018.0007.00	CROSSBEAM SHAFT INTERM
E14	03.0018.0008.00	CROSSBEAM SHAFT LAT
A44	03.0023.0003.00	PVC BUSH
A20	03.0023.0004.00	PVC BUSH WITH HOLE
B31	03.0024.0002.00	WASHER 48X36X3
C16	03.0026.0001.00	HUNHOOK CABLE
D13	03.0027.0001.00	CONTROCUFFIA DI PROTECTION
A7	05,0016,0002,00	STEAM FOR SPRING,
F10	30.0006.0016.00	COVER DX PARTE EST.VER.
F12	30.0006.0017.00	COVER.SX PARTE EST.VERN.
F14	30.0006.0018.00	COVER.DX PARTE INT.VERN.
F13	30.0006.0019.00	COVER.SX PARTE INT.VERN.
F11	30.0006.0020.00	COVER POST.PLATE VERN.
C14	30.0009.0001.00	PALTE PER PAPPAGALLO VERN.
C15	30.0009.0002.00	STIRRUP SECUTIRY SYSTEM
D10	30.0010.0001.00	SUPPORT PINION
E7	30.0010.0002.00	SUPPORT TURNING
D6	30.0011.0001.00	COVER FOR CENTRAL BOX.
B4	30.0012.0001.00	FLANGE FOR ARMS
B5	30.0013.0001.00	ARM FOR TINES
B16	30.0014.0002.00	SHAFT FOR WHEELS.
B14	30.0014.0004.00	SUPPORT SHAFT WHEEL VERN.
B26	30.0015.0001.00	PROTECTION CAP GAMBO R.
B2	30.0016.0001.00	CROWN X ROTOR VERN.
A1	30.0017.0001.00	3PT CURVE VERNICIATA
A2	30.0018.0001.00	PULL FOR GS 650 - 730 (VERNICIATO)
G1	30.0018.0002.00	ATTACHMENT FOR MOTIVE
G2	30.0018.0003.00	ATTACHMENT FIXED
A3	30.0019.0001.00	FOOT PAINTED
G3	30.0019.0002.00	FOOT REG.VERN.
A11	30.0020.0001.00	PIPE COVER SPRING.VERN.
A34	30.0020.0002.00	OSCILLATING FOR 3PT
B33	30.0020.0004.00	BLADE FOR MUDGUARD
A40	30.0021.0001.00	STIRRUP FOR PULL
G10	30.0021.0002.00	STIRRUP PAINTED
G16	30.0021.0003.00	STIRRUP FOR SPIRAL ESAG.VERN.
H8-L8	30.0021.0008.00	FIXING STIRRUP SX
H11-L11	30.0021.0009.00	FIXING STIRRUP DX
I8	30.0021.0010.00	FIXING STIRRUP
H18-L18	30.0021.0011.00	STIRRUP ATTACHMENT CYLINDER
A19	30.0022.0001.00	ARTICULATED PIVOT
B25	30.0025.0001.00	MUDGUARD FOR CENTRAL W
H1-L1	30,0032,0001,00	COVER X TRAVERSA LAT, ESTERNA
H2-L2	30,0032,0002,00	COVER X TRAVERSA LAT, INTERNA
H3	30,0033,0001,00	CROSSBEAM LATERALE ESTERNA
I1	30.0032.0003.00	COVER X TRAVERSA CENTR.
H4	30.0033.0002.00	CROSSBEAM LATERALE INT.
I2	30.0033.0003.00	CROSSBEAM CENTRALE

L3	30.0033.0004.00	CROSSBEAM LATERALE ESTERNA
L4	30.0033.0005.00	CROSSBEAM LATERALE INTERNA